

## Серия H2 с держателем на 3-х ножках

на светодиодах Emitter



10°



20°



30°



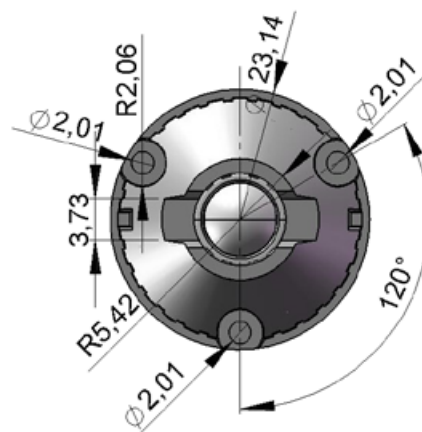
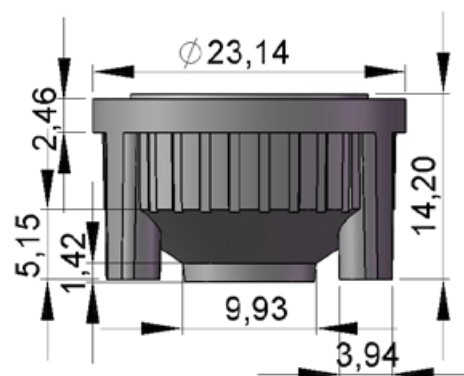
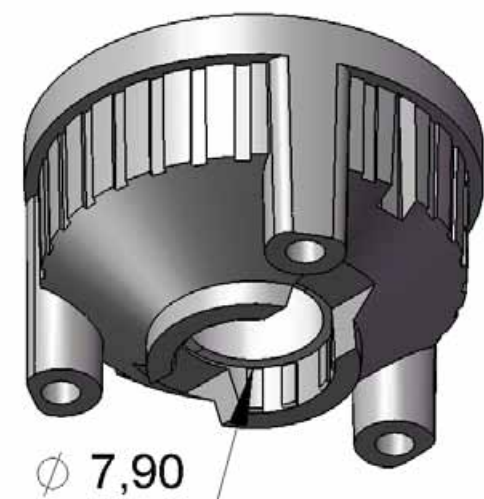
45°



60°

Наименование	Угол
Линза 10DH2W (10°, Emitter, white)	10°
Линза 20DH2W (20°, Emitter, white)	20°
Линза 30DH2W (30°, Emitter, white)	30°
Линза 45DH2W (45°, Emitter, black)	45°
Линза 60DH2W (60°, Emitter, black)	60°

## Габариты



## General info

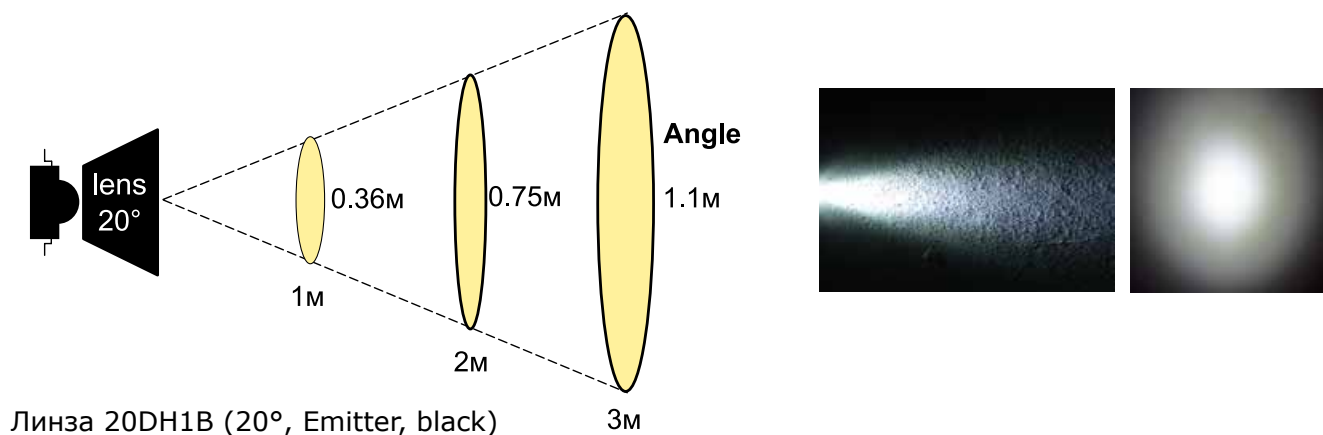
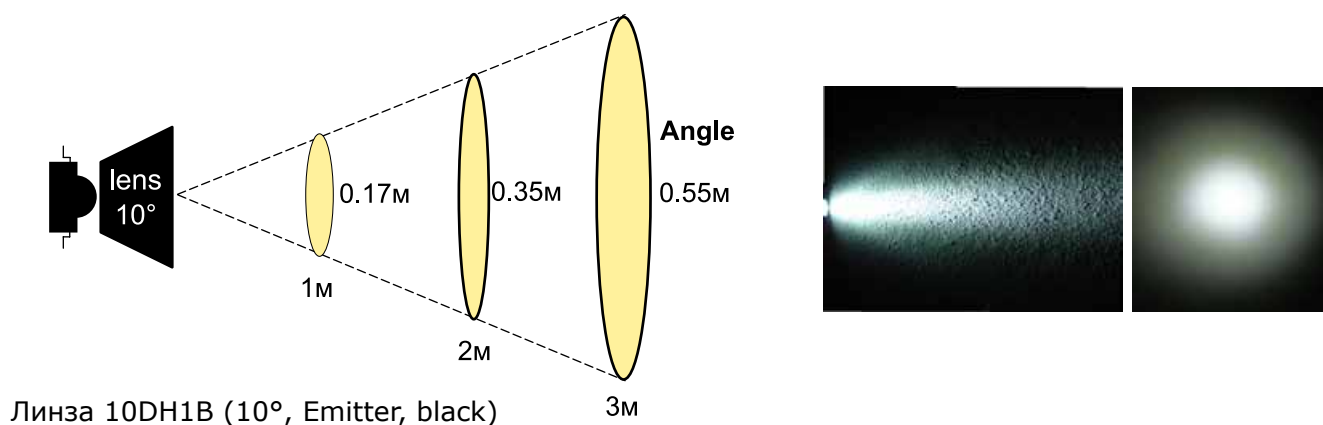
### Lens

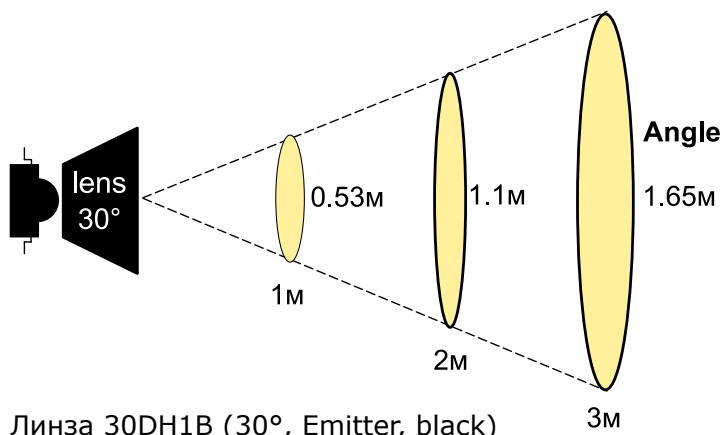
- Street Lighting
- Office Lighting
- Home Lighting
- Stage Lighting
- Architectural Lighting
- Down Light Lighting
- Decorative Lighting
- Lens Material Optical Grade Best Available Optical Efficiency
- Lens Material with high UV & Temperature Resistance  $-40^{\circ}\text{C} \sim +100^{\circ}\text{C}$
- Lens Material Light Transmittance High Productivity with 2mm Thickness

### Lens with Housing

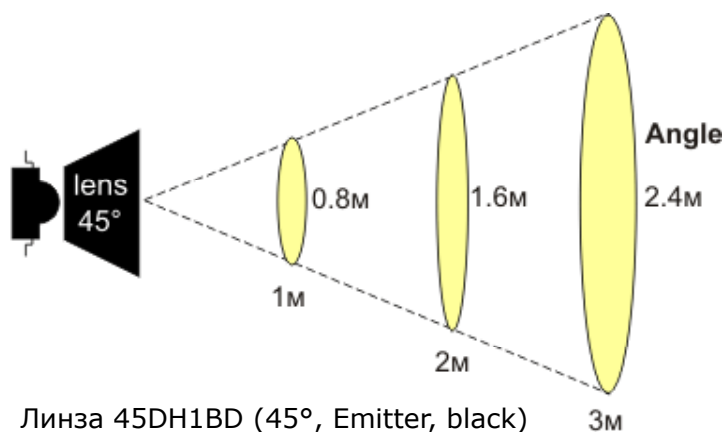
- Holder Colour — Black ----- White
- Holder Material Operating Temperature  $-40^{\circ}\text{C} \sim +120^{\circ}\text{C}$
- Holder Material PCV2 & R O H S - Flama : High Heat Resistance
- Holder Material - UV Allows use of High Current and Temperature Conditions
- If you Decide to use Glue only, Please Take Special Care of Correct Positioning

## Lighting parameters

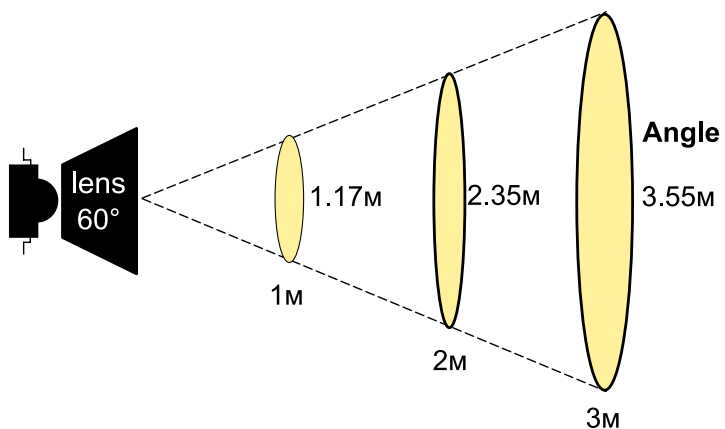




Линза 30DH1B (30°, Emitter, black)



Линза 45DH1BD (45°, Emitter, black)



Линза 60DH1BF (60°, Emitter, black)

